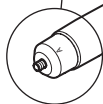
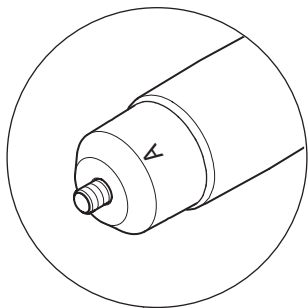
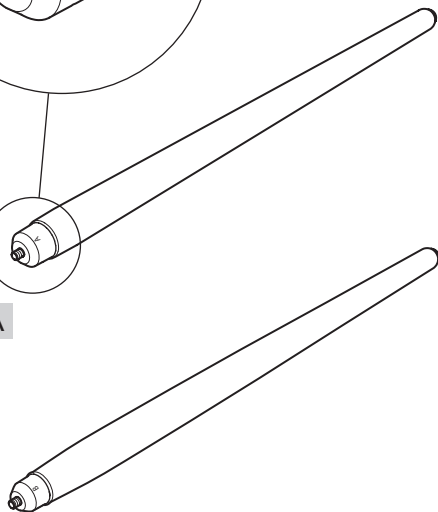


**Supplementary Legs**  
**Beosound A9**

**BANG & OLUFSEN**



1 x **A**



2 x **B**

